

Brand ZUCCHETTI

n/a

PAN S

ZPA419.195E 2 hole single lever basin mixer



2 hole single lever basin mixer, aerator, flexible hoses.
Spout projection 5 7/16".
Water flow restricted to 1,2 GPM.

Brand ZUCCHETTI

n/a

PAN S

ZPA419.195E

Finishes



Chrome



Brushed Nickel

C3



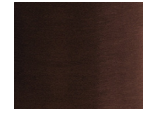
Brushed Metal Black

C51



Matt black

N6



PVD brushed chocolate

P21



Brushed PVD British gold

P31



Brushed total black PVD

P81



Glossy gesso

J3



Pearl cipria

K7



Pearl chili

R6



Pearl salvia

V7



Matt mirto

V8

Note / Notes

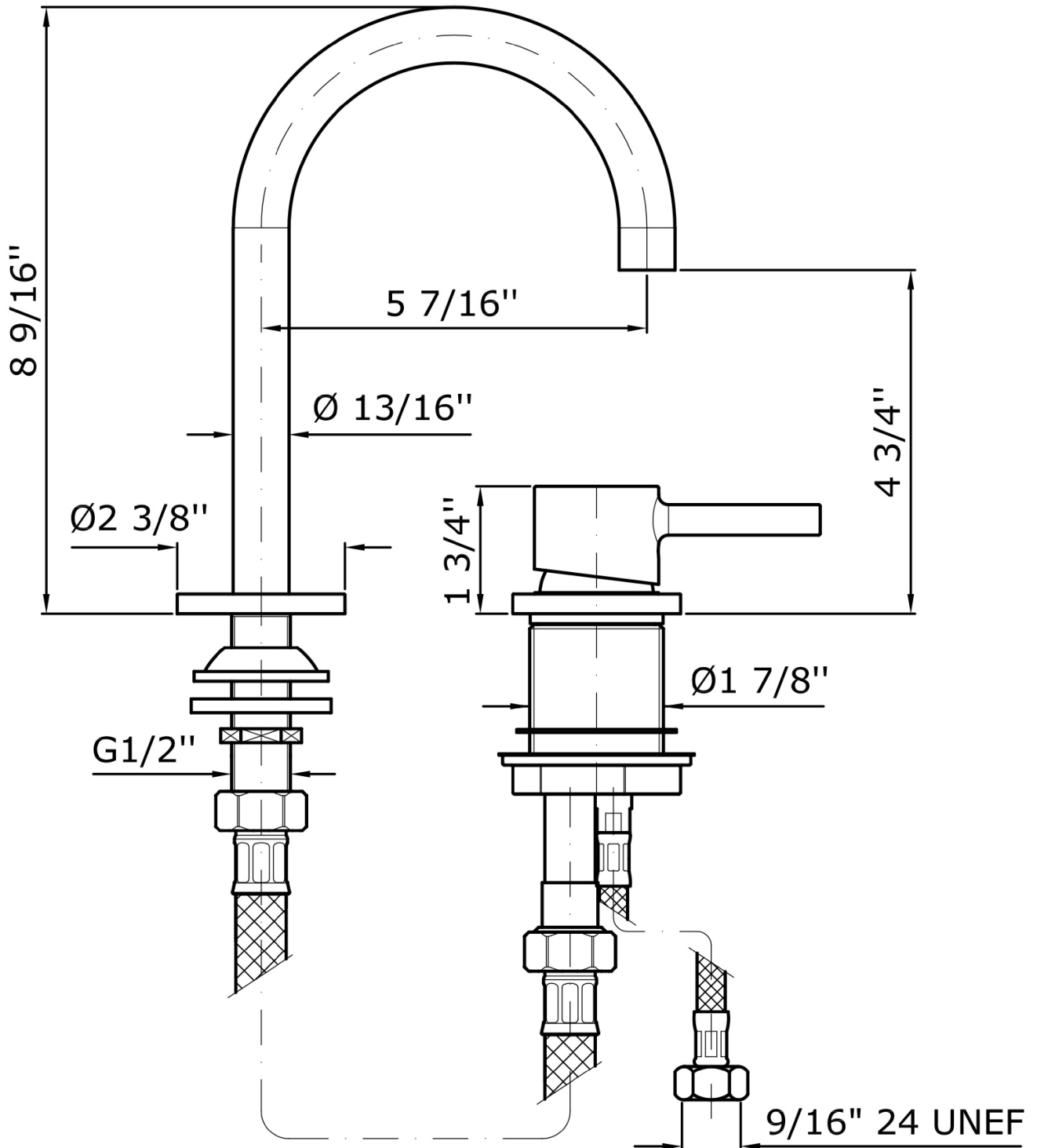
LEAD FREE

Brand ZUCCHETTI

n/a

PAN S

ZPA419.195E Overall Drawing



Brand ZUCCHETTI

n/a

PAN S

ZPA419.195E Weights and Sizes

Weight (lb)	2,40 (Kg)	5,29 (lb)
Volume test (dc3) - (in3)	11,01 (dc3)	671,87 (in3)
h (mm) - (in)	90,00 (mm)	3,54 (in)
L1 (mm) - (in)	335,00 (mm)	13,19 (in)
L2 (mm) - (in)	365,00 (mm)	14,37 (in)

