

Brand ZUCCHETTI

n/a

BELLAGIO

ZB2426.195E 3 hole basin mixer, high spout.



3 hole basin mixer with aerator, high spout, pop-up waste, flexible hoses. Spout projection 5 3/8". Water flow restricted to 1.2 GPM.

Brand ZUCCHETTI

n/a

BELLAGIO

ZB2426.195E

Finishes



Chrome



Polished Nickel

C8



Gold

C40



Brushed Gold

C41



PVD brushed chocolate

P21



Brushed PVD British gold

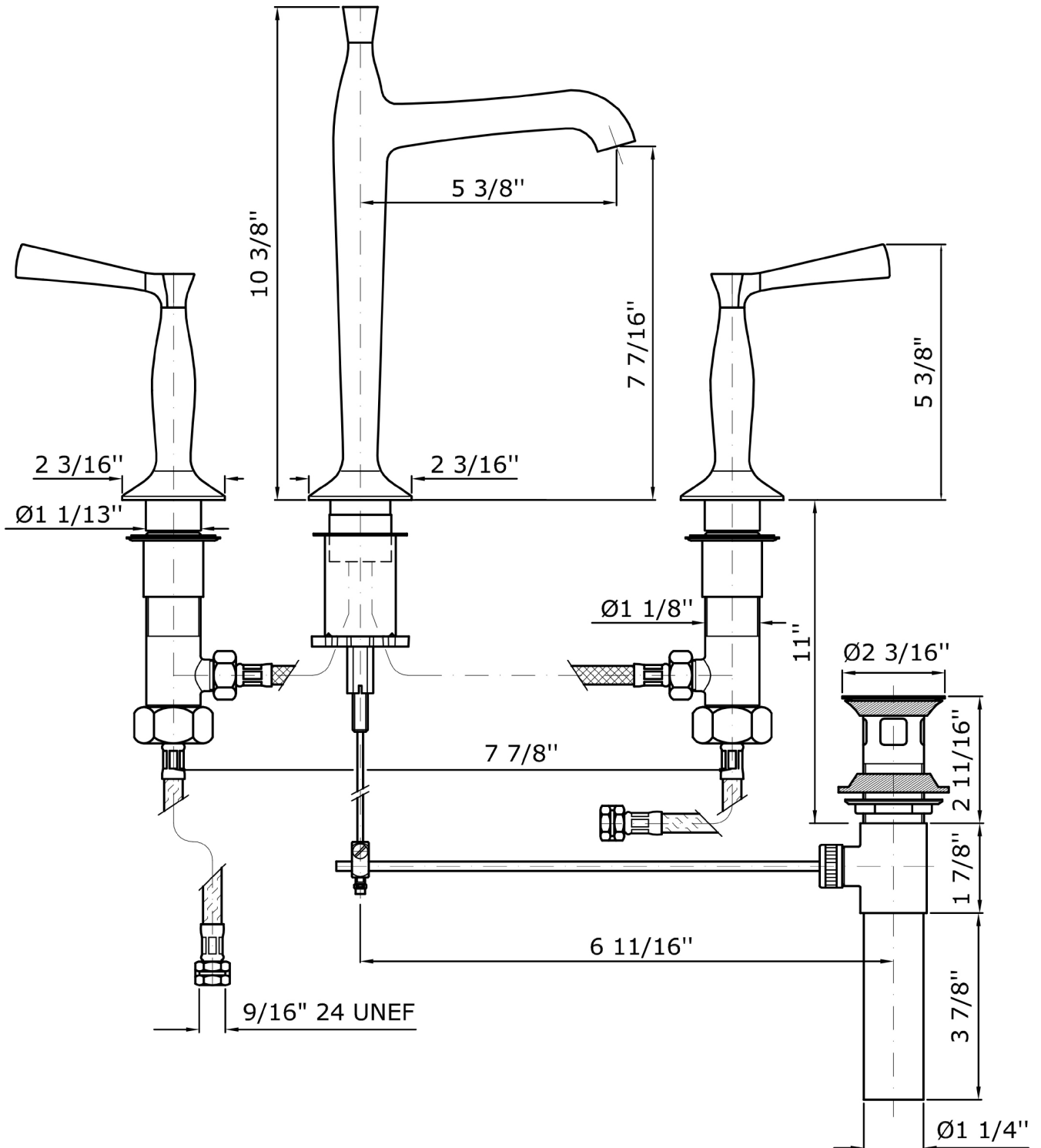
P31

Note / Notes

LEAD FREE
NSF/ANSI/CAN61

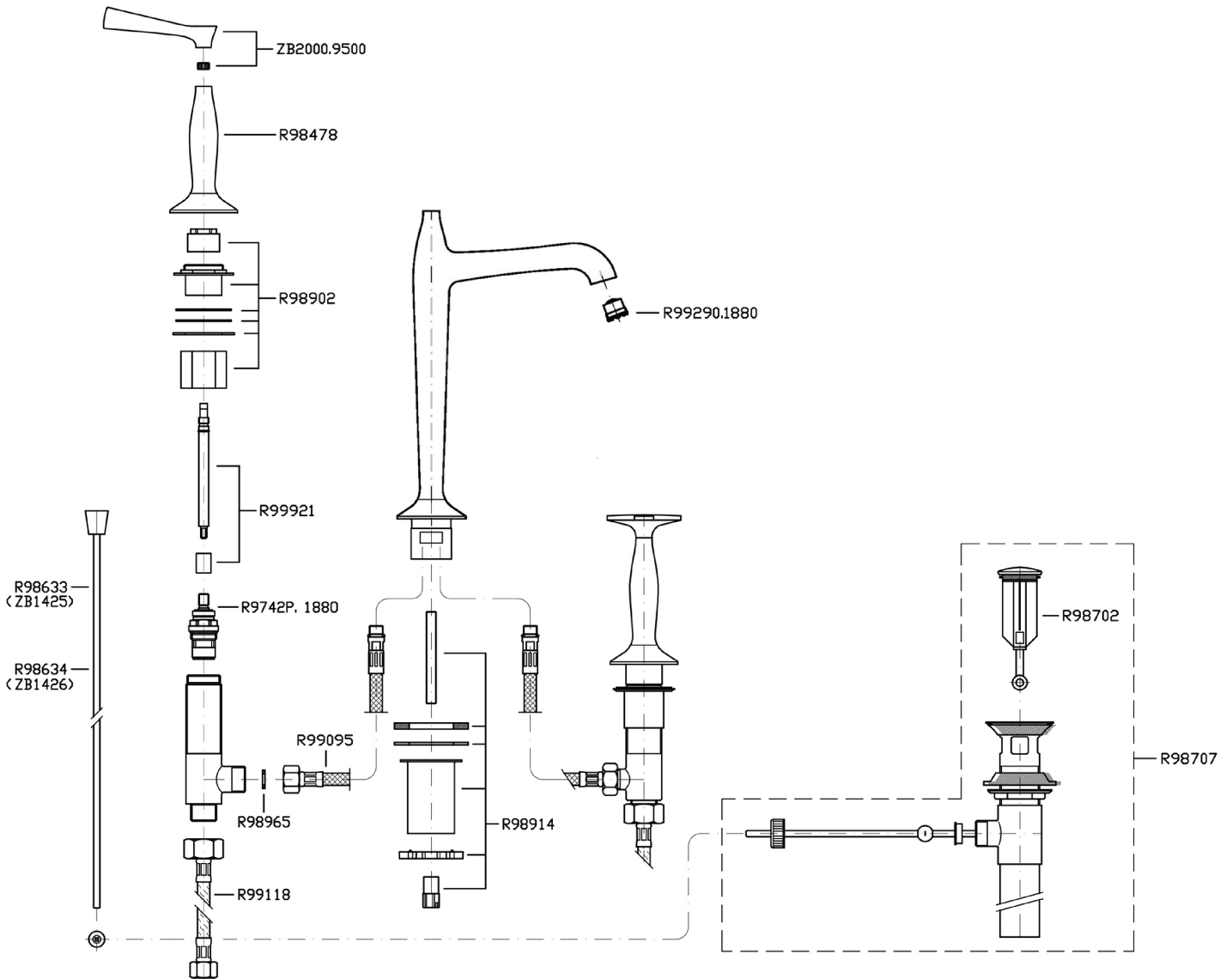
BELLAGIO

ZB2426.195E Overall Drawing



BELLAGIO

ZB2426.195E Exploded



Brand ZUCCHETTI

n/a

BELLAGIO

ZB2426.195E Certifications

USA

IAPMO

BELLAGIO

ZB2426.195E Weights and Sizes

Weight (lb)	4,92 (Kg)	10,85 (lb)
Volume test (dc3) - (in3)	11,01 (dc3)	671,87 (in3)
h (mm) - (in)	90,00 (mm)	3,54 (in)
L1 (mm) - (in)	335,00 (mm)	13,19 (in)
L2 (mm) - (in)	365,00 (mm)	14,37 (in)

