

Brand ZUCCHETTI

n/a

## BELLAGIO

ZB1425.195E 3 hole basin mixer.



3 hole basin mixer with aerator, pop-up waste, flexible hoses. Spout projection 5 3/8". Water flow restricted to 1.2 GPM.

Brand ZUCCHETTI

n/a

## BELLAGIO

ZB1425.195E

Finishes



Chrome



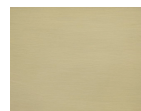
Polished Nickel

**C8**



Gold

**C40**



Brushed Gold

**C41**



PVD brushed chocolate

**P21**



Brushed PVD British gold

**P31**

### Note / Notes

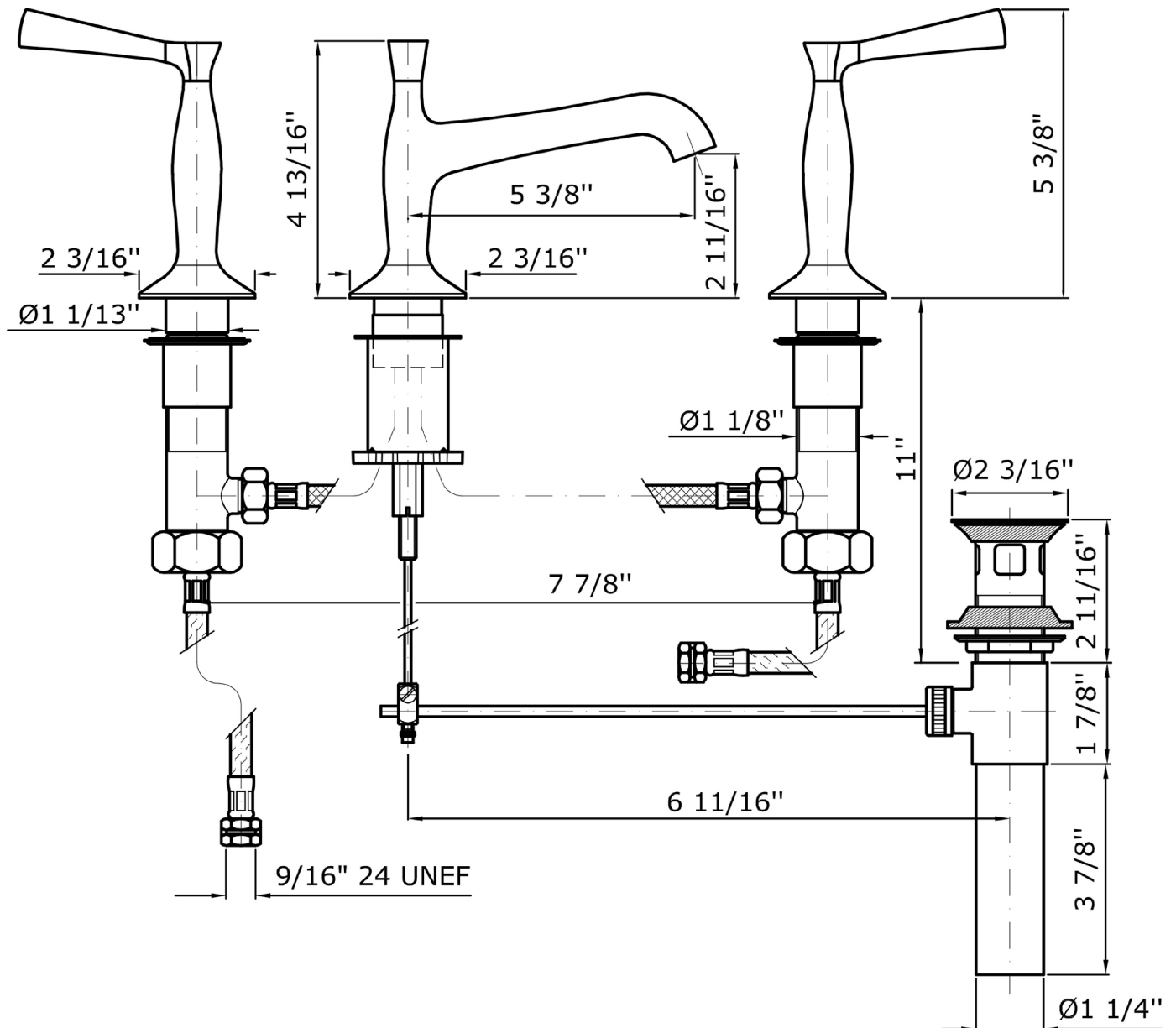
LEAD FREE  
NSF/ANSI/CAN61

Brand ZUCCHETTI

n/a

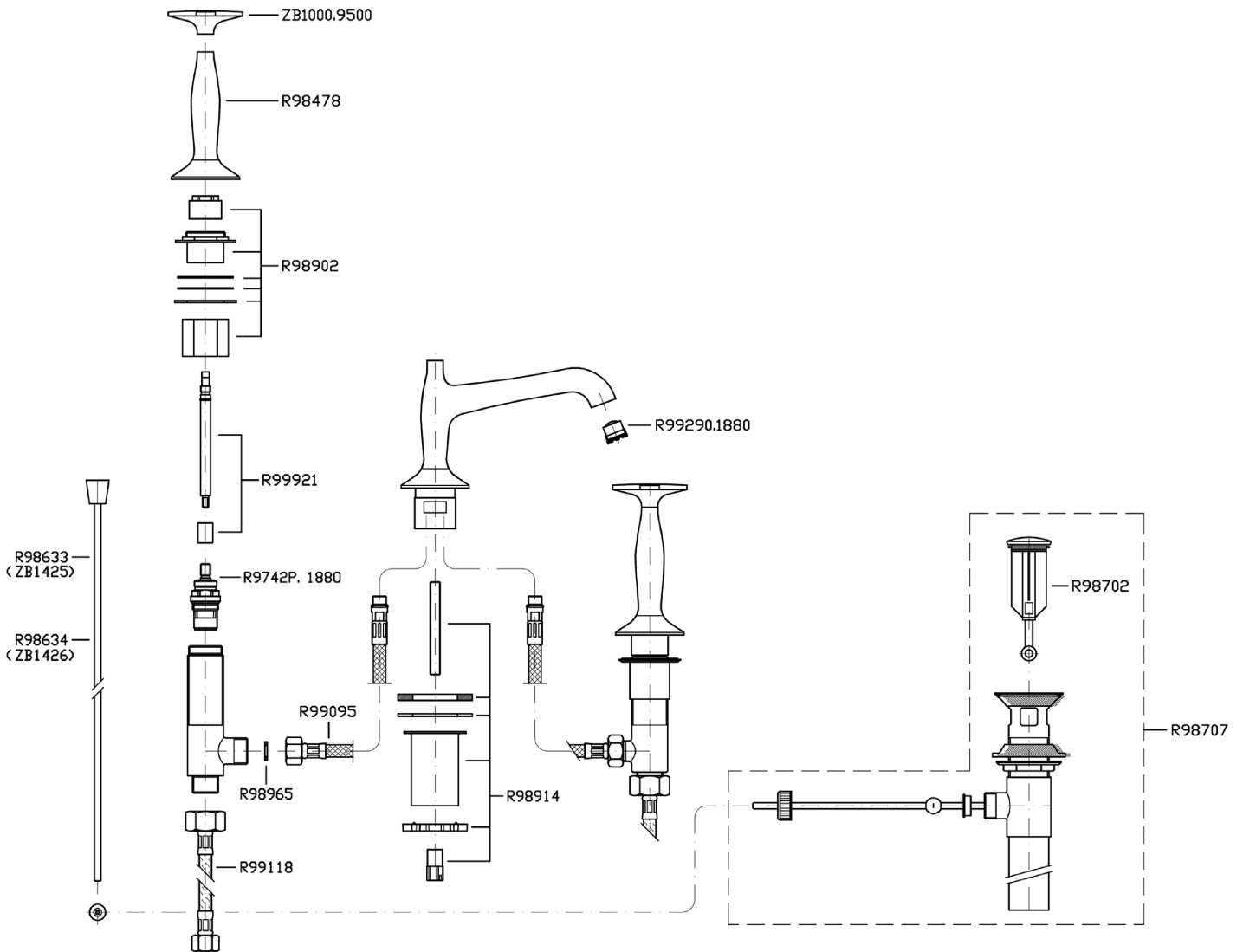
## BELLAGIO

ZB1425.195E Overall Drawing



## BELLAGIO

ZB1425.195E Exploded



Brand ZUCCHETTI

n/a

## BELLAGIO

ZB1425.195E Certifications

USA

IAPMO

## BELLAGIO

ZB1425.195E Weights and Sizes

Weight ( lb )	4,50 ( Kg )	9,92 ( lb )
Volume test ( dc3 ) - ( in3 )	11,01 ( dc3 )	671,87 ( in3 )
h ( mm ) - ( in )	90,00 ( mm )	3,54 ( in )
L1 ( mm ) - ( in )	335,00 ( mm )	13,19 ( in )
L2 ( mm ) - ( in )	365,00 ( mm )	14,37 ( in )

