

## SHOWER

ZAL860

Colonna doccia completa di gruppo esterno. / Shower column with exposed shower mixer.



Colonna doccia completa di gruppo esterno, soffione in ottone e doccetta Z9472P.C.  
Water Saving - portata d'acqua uguale o inferiore a 9 l/min.

Shower column with exposed shower mixer, brass shower head and handshower Z9472P.C.  
Water Saving - water flow rate of 9 l/min or less.

## SHOWER

ZAL860

Finiture / Finishes



Cromo / Chrome



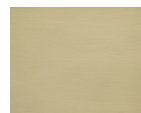
**C8**

Nickel Lucido / Polished Nickel



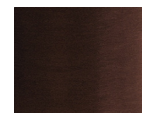
**C40**

Oro / Gold



**C41**

Oro spazzolato / Brushed Gold



**P21**

PVD brushed chocolate / PVD brushed chocolate



**P31**

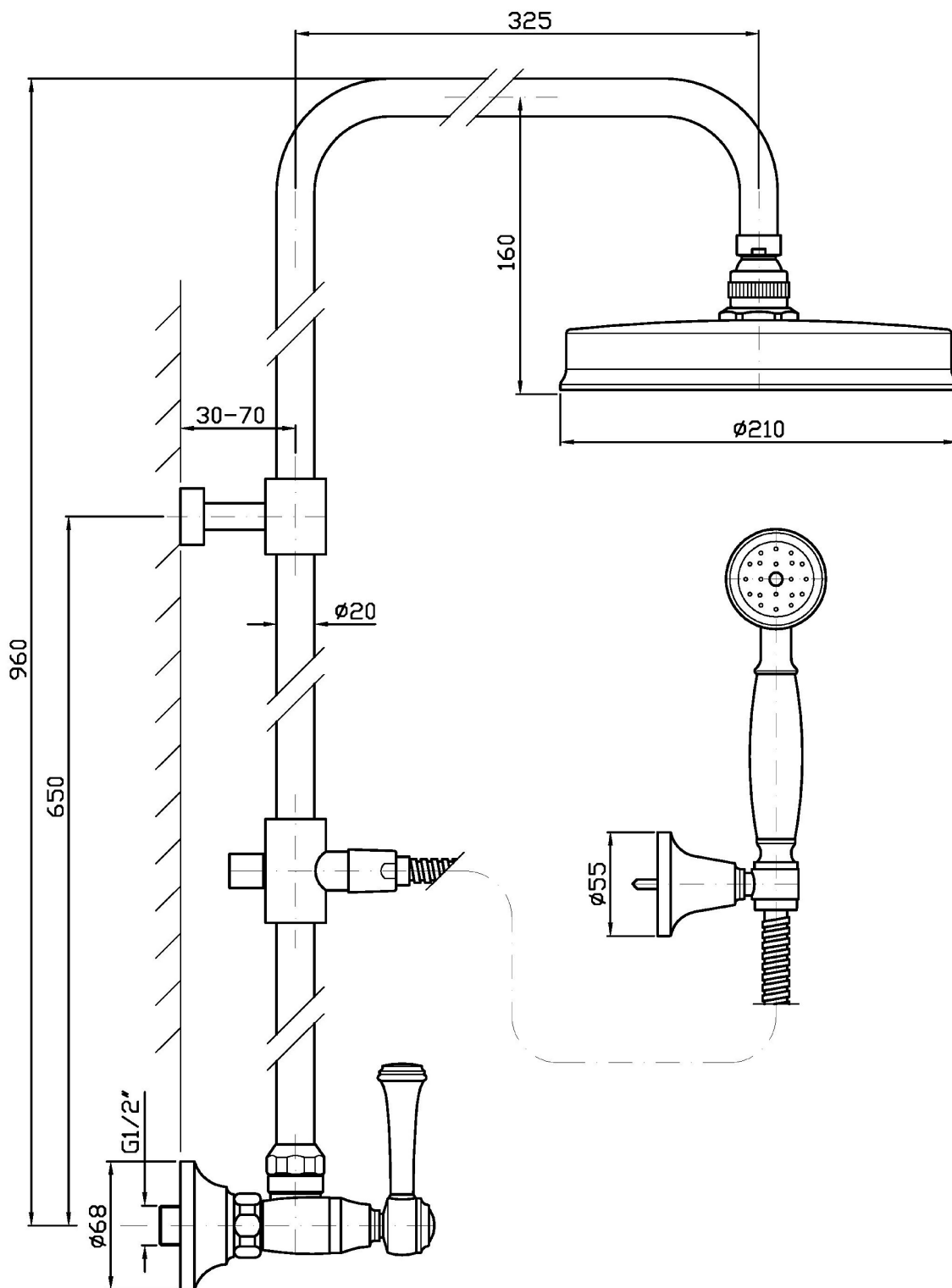
Brushed PVD British gold /  
Brushed PVD British gold

Note / Notes

## SHOWER

ZAL860

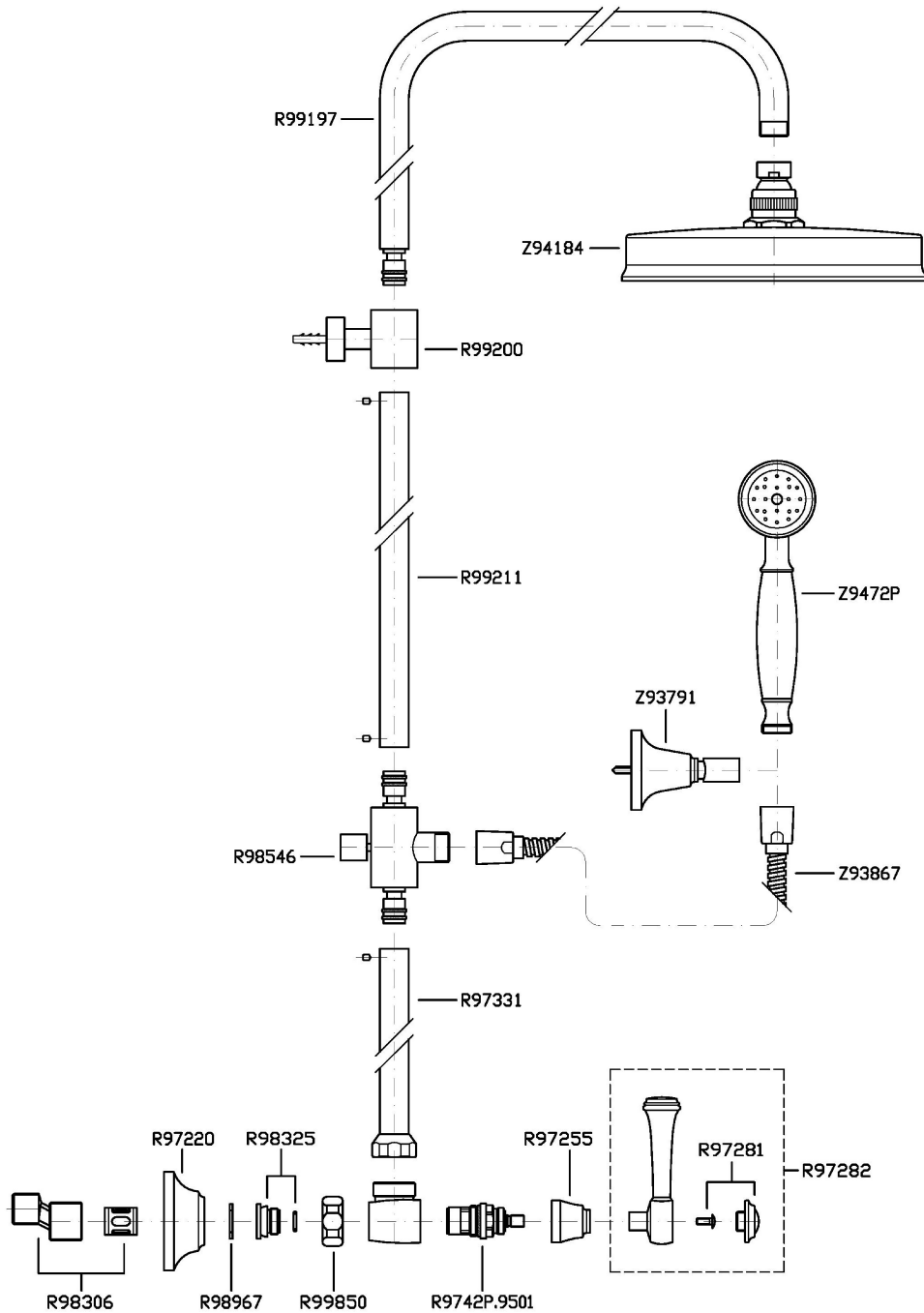
Disegno Complessivo / Overall Drawing



## SHOWER

ZAL860

Esplosi / Exploded

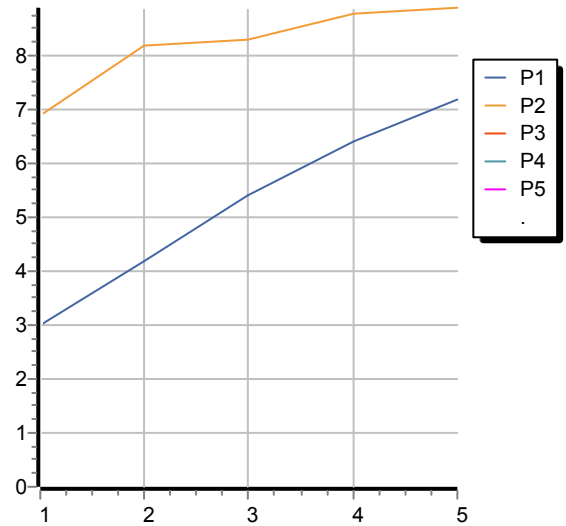


## SHOWER

ZAL860

Portate / Flowrates (lt/min)

PRESSIONE PRESSURE	1 BAR	2 BAR	3 BAR	4 BAR	5 BAR
P1 DOCCETTA HANDSHOWER	3	4,2	5,4	6,4	7,2
P2 SOFFIONE SHOWER HEAD	6,9	8,2	8,3	8,8	8,9
P3					
P4					
P5					



## SHOWER

ZAL860

Pesi e Misure / Weights and Sizes

Peso ( Kg ) Weight ( lb )	8,00 ( Kg )	17,64 ( lb )
Volume test ( dc3 ) - ( in3 )	41,77 ( dc3 )	2548,96 ( in3 )
h ( mm ) - ( in )	110,00 ( mm )	4,33 ( in )
L1 ( mm ) - ( in )	440,00 ( mm )	17,32 ( in )
L2 ( mm ) - ( in )	915,00 ( mm )	36,02 ( in )

