

Brand ZUCCHETTI

n/a

AGORÀ

ZAL672.190E 3 hole built-in basin mixer.



3 hole built-in basin mixer, with aerator. Spout projection 8 1/16". Water flow restricted to 1,2 GPM.

R99500.190E

Assembled rough-in part, interaxe 8"



Brand ZUCCHETTI

n/a

AGORÀ

ZAL672.190E

Finishes



Chrome



Polished Nickel

C8



Gold

C40



Brushed Gold

C41



PVD brushed chocolate

P21



Brushed PVD British gold

P31

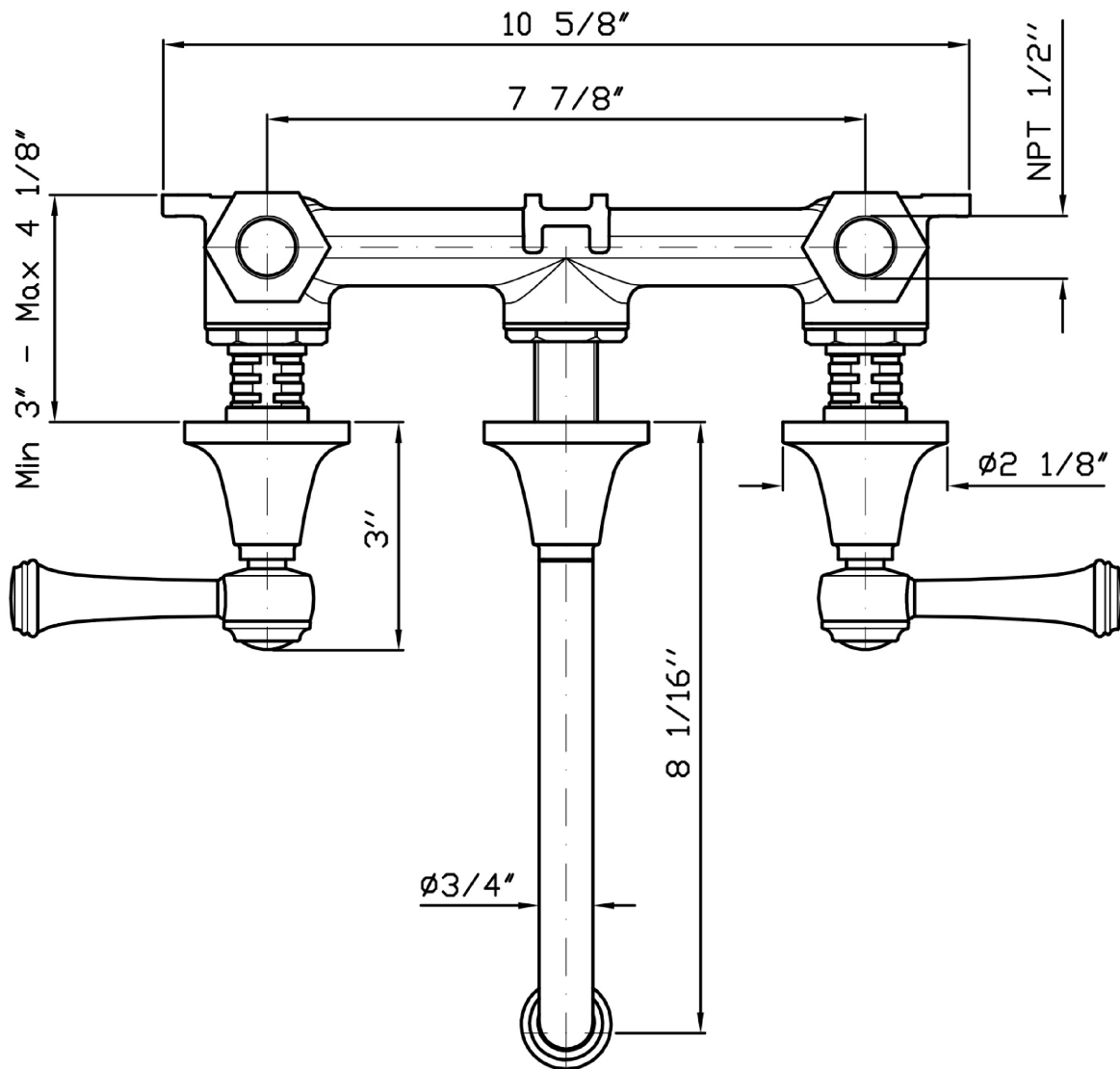
Note / Notes

Brand ZUCCHETTI

n/a

AGORÀ

ZAL672.190E Overall Drawing



Brand ZUCCHETTI

n/a

AGORÀ

ZAL672.190E Certifications

USA

CSA

AGORÀ

ZAL672.190E Weights and Sizes

Weight (lb)	2,50 (Kg)	5,51 (lb)
Volume test (dc3) - (in3)	7,43 (dc3)	453,41 (in3)
h (mm) - (in)	90,00 (mm)	3,54 (in)
L1 (mm) - (in)	250,00 (mm)	9,84 (in)
L2 (mm) - (in)	330,00 (mm)	12,99 (in)

