

Brand ZUCCHETTI

n/a

## AGORÀ

ZAL406.195E

3 hole basin mixer fixed spout.



3 hole basin mixer fixed spout, with aerator, 1 ¼" pop-up waste, flexible tails. Spout projection 7 1/2". Water flow restricted to 1,2 GPM.

Brand ZUCCHETTI

n/a

## AGORÀ

ZAL406.195E

Finishes



Chrome



Polished Nickel

**C8**



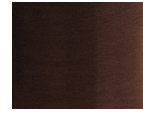
Gold

**C40**



Brushed Gold

**C41**



PVD brushed chocolate

**P21**



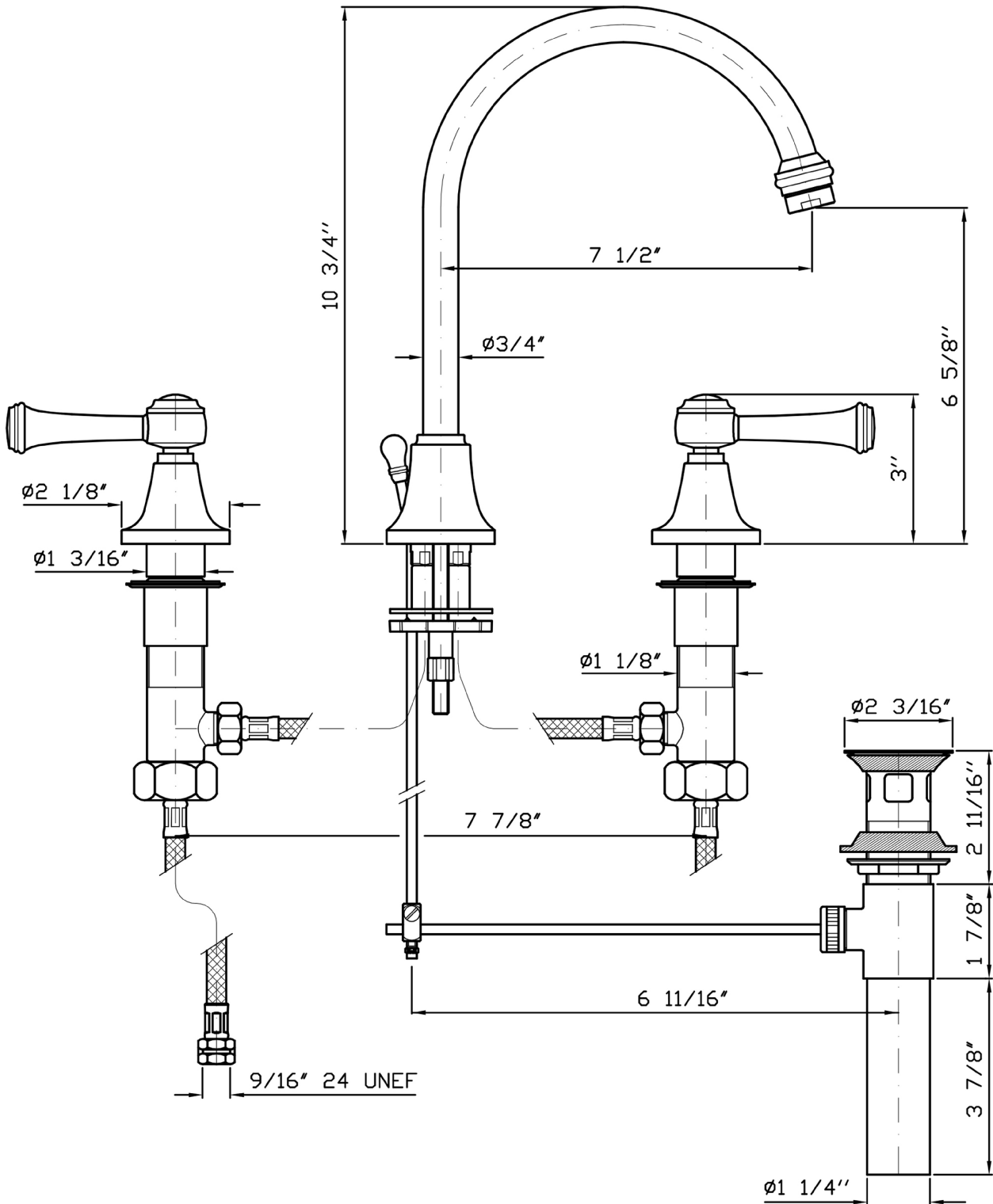
Brushed PVD British gold

**P31**

Note / Notes

## AGORÀ

ZAL406.195E Overall Drawing



Brand ZUCCHETTI

n/a

## AGORÀ

### ZAL406.195E Certifications

USA

CSA

## AGORÀ

### ZAL406.195E Weights and Sizes

Weight ( lb )	3,80 ( Kg )	8,38 ( lb )
Volume test ( dc3 ) - ( in3 )	11,01 ( dc3 )	671,87 ( in3 )
h ( mm ) - ( in )	90,00 ( mm )	3,54 ( in )
L1 ( mm ) - ( in )	335,00 ( mm )	13,19 ( in )
L2 ( mm ) - ( in )	365,00 ( mm )	14,37 ( in )

