

Brand ZUCCHETTI

n/a

AGORÀ

ZAG362.195E

Single hole basin mixer, fixed spout.



Single hole basin mixer, fixed spout with aerator, 1 1/4" pop-up waste, flexible hoses. Spout projection 7 3/4". Water flow restricted to 1,2 GPM.

Brand ZUCCHETTI

n/a

AGORÀ

ZAG362.195E

Finishes



Chrome



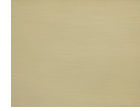
Polished Nickel

C8



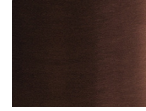
Gold

C40



Brushed Gold

C41



PVD brushed chocolate

P21



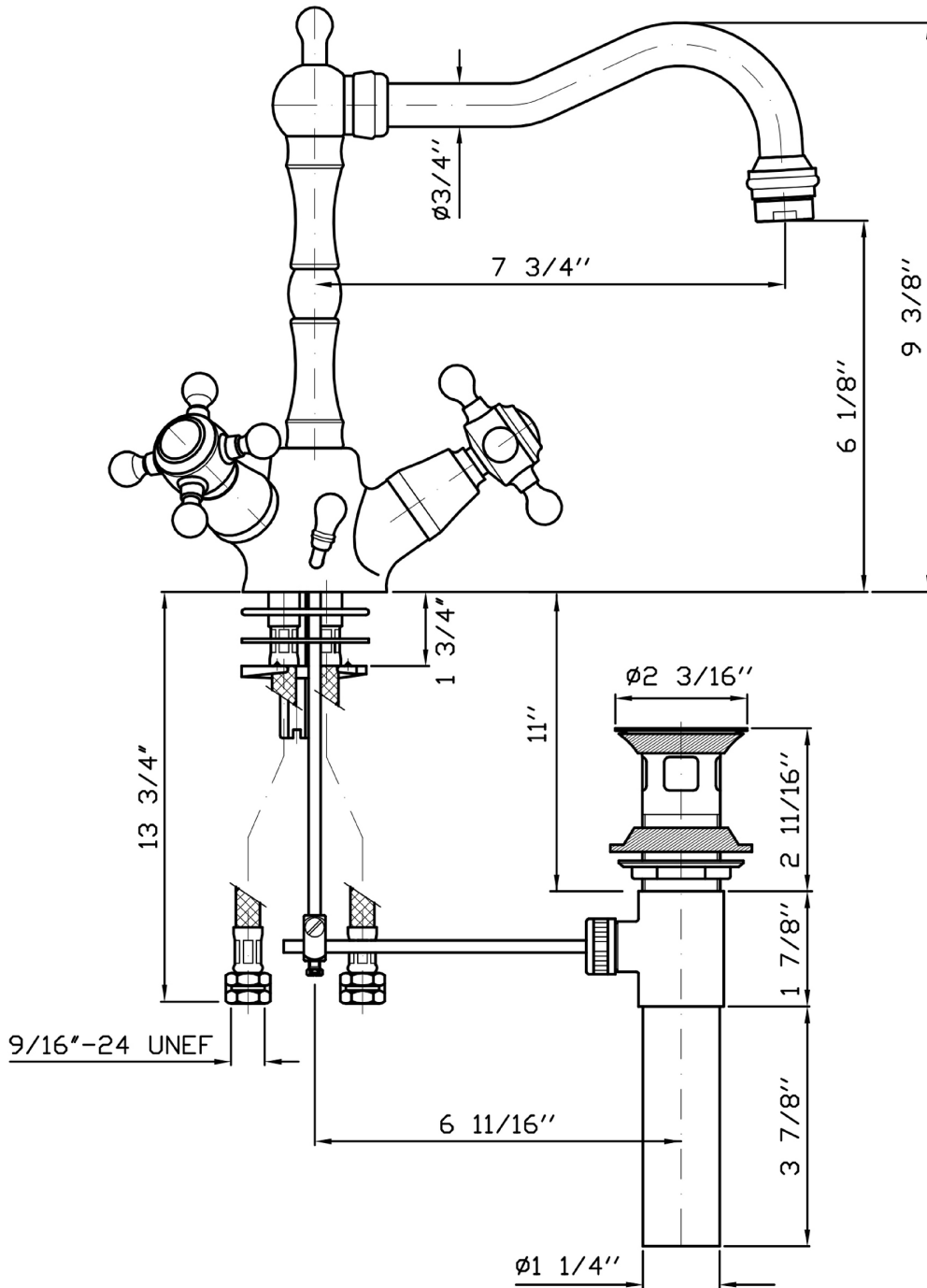
Brushed PVD British gold

P31

Note / Notes

AGORÀ

ZAG362.195E Overall Drawing



Brand ZUCCHETTI

n/a

AGORÀ

ZAG362.195E Certifications

USA

CSA

AGORÀ

ZAG362.195E Weights and Sizes

Weight (lb)	3,27 (Kg)	7,21 (lb)
Volume test (dc3) - (in3)	7,50 (dc3)	457,68 (in3)
h (mm) - (in)	90,00 (mm)	3,54 (in)
L1 (mm) - (in)	250,00 (mm)	9,84 (in)
L2 (mm) - (in)	333,00 (mm)	13,11 (in)

