

Marchio / Brand ZUCCHETTI

AGUABLU

## AGUABLU

ZA5413.195E Electronic basin mixer.



Electronic basin mixer. Thermostatic valve suggested to regulate temperature. Spout projection 6 7/8". Water flow restricted to 1

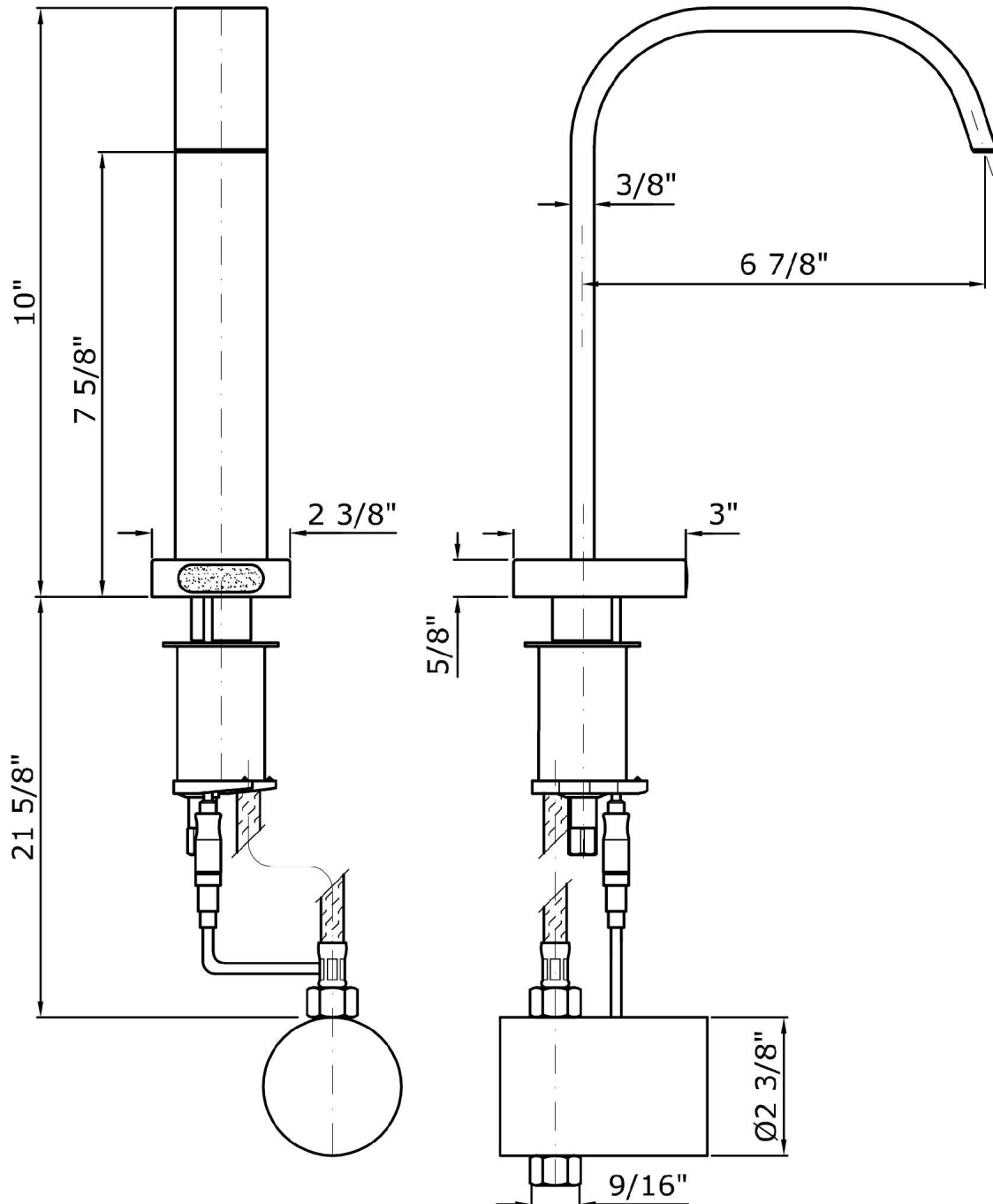
### Finiture / Finishes



Chrome

## AGUABLU

ZA5413.195E Disegno Complessivo / Overall Drawing



## AGUABLU

ZA5413.195E Certificazioni / Certifications

USA

IAPMO

## AGUABLU

ZA5413.195E Pesì e Misure / Weights and Sizes

Peso ( Kg ) Weight ( lb )	2,76 ( Kg )	6,08 ( lb )
Volume test ( dc3 ) - ( in3 )	11,01 ( dc3 )	671,87 ( in3 )
h ( mm ) - ( in )	90,00 ( mm )	3,54 ( in )
L1 ( mm ) - ( in )	335,00 ( mm )	13,19 ( in )
L2 ( mm ) - ( in )	365,00 ( mm )	14,37 ( in )

