

## AGUABLU

Z93764.1900

Wall spout.



Wall spout 1/2". Spout projection 7 5/16". Water flow restricted to 1,2 GPM.

### Finiture / Finishes



Chrome



Brushed Nickel

C3

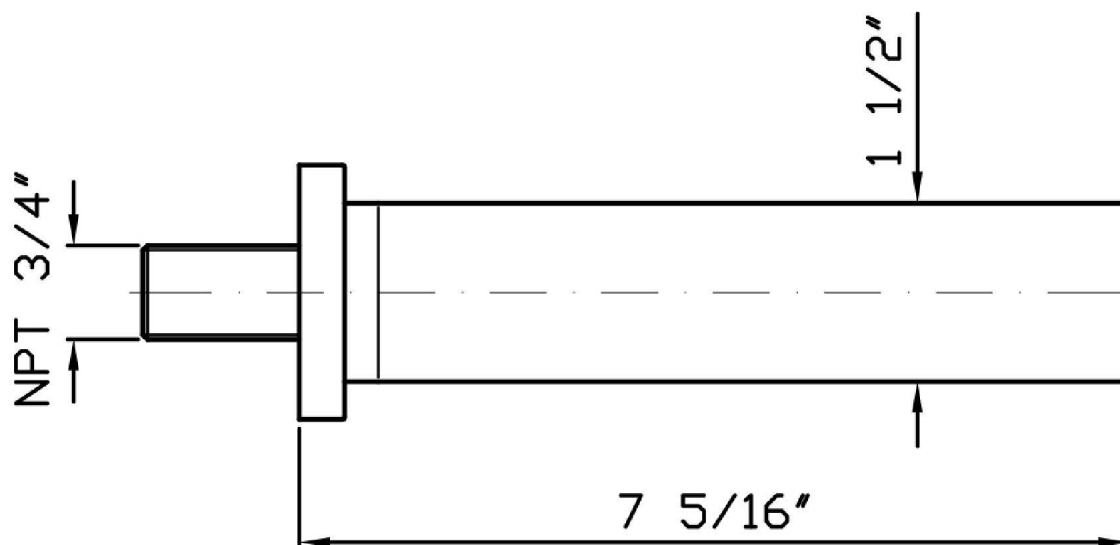
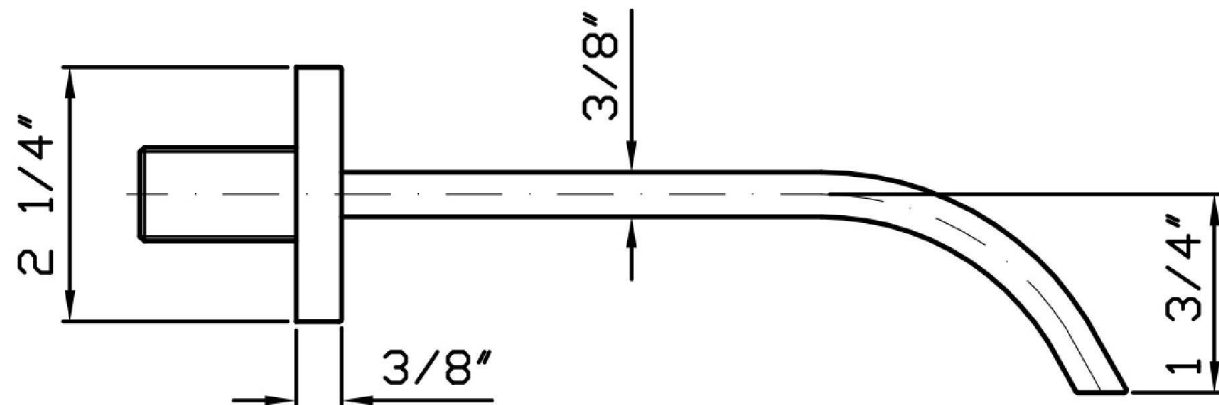


Polished Nickel

C8

## AGUABLU

Z93764.1900 Disegno Complessivo / Overall Drawing



## AGUABLU

Z93764.1900 Certificazioni / Certifications

USA

IAPMO

## AGUABLU

Z93764.1900 Pesì e Misure / Weights and Sizes

Peso ( Kg ) Weight ( lb )	0,66 ( Kg )	1,46 ( lb )
Volume test ( dc3 ) - ( in3 )	11,01 ( dc3 )	671,87 ( in3 )
h ( mm ) - ( in )	90,00 ( mm )	3,54 ( in )
L1 ( mm ) - ( in )	335,00 ( mm )	13,19 ( in )
L2 ( mm ) - ( in )	365,00 ( mm )	14,37 ( in )

