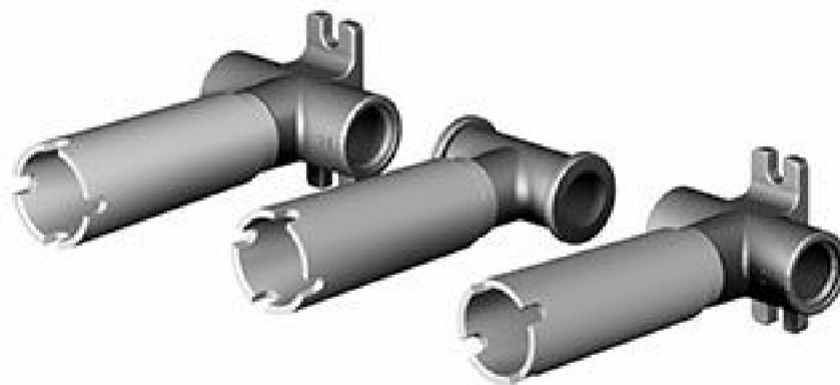


## INCASSI\_BUILT-IN PARTS

R99504

Parte incasso con elementi liberi, distanza variabile / Built-in part, not assembled, variable distance.



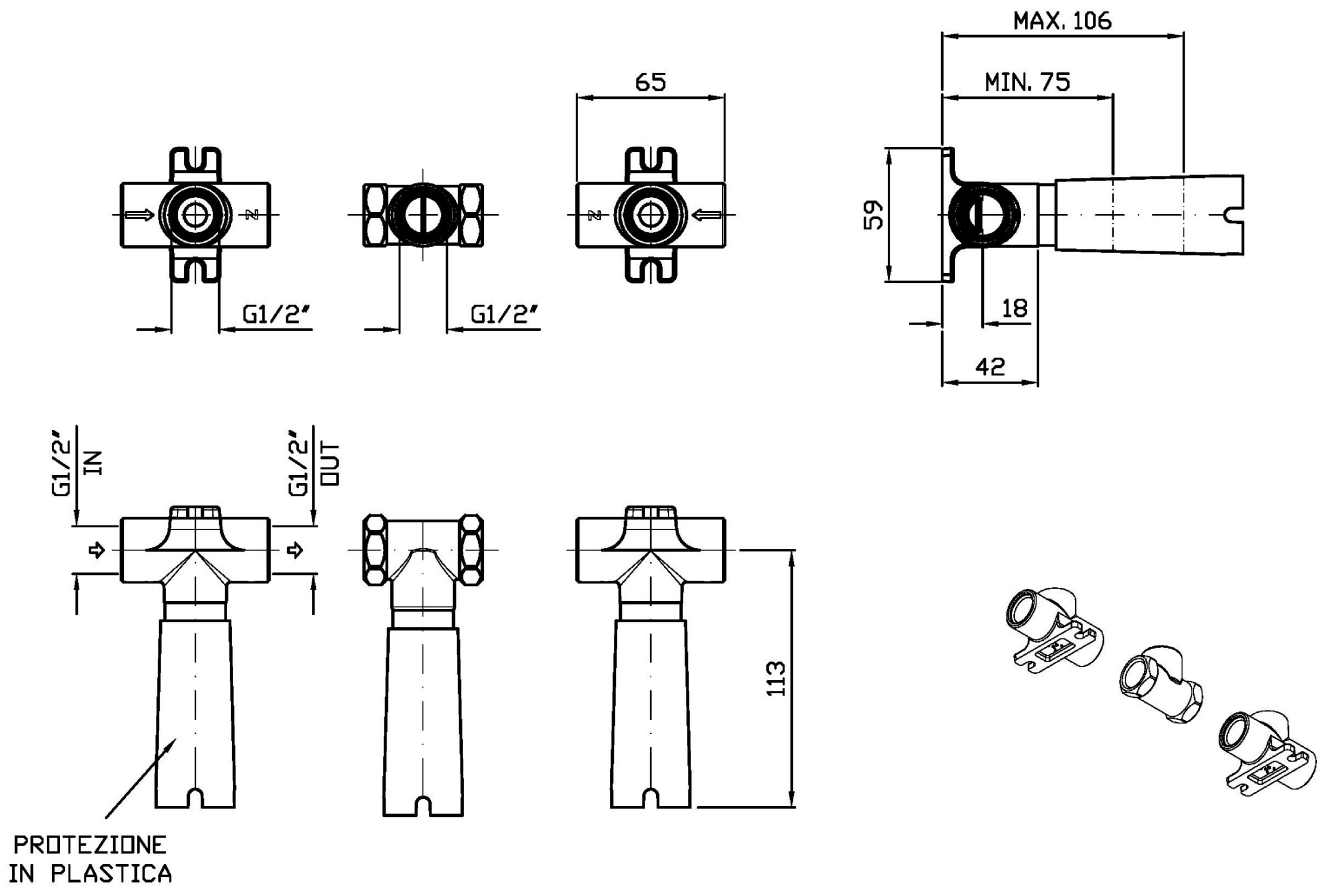
Parte incasso con elementi liberi, batteria lavabo 3 fori.

Built-in part, not assembled, 3 hole basin mixer.

## INCASSI\_BUILT-IN PARTS

R99504

Disegno Complessivo / Overall Drawing



## INCASSI\_BUILT-IN PARTS

R99504 Certificazioni / Certifications

SINGAPORE

PUB

## INCASSI\_BUILT-IN PARTS

R99504 Pesì e Misure / Weights and Sizes

Peso ( Kg ) Weight ( lb )	0,80 ( Kg )	1,76 ( lb )
Volume test ( dc3 ) - ( in3 )	1,37 ( dc3 )	83,60 ( in3 )
h ( mm ) - ( in )	80,00 ( mm )	3,15 ( in )
L1 ( mm ) - ( in )	118,00 ( mm )	4,65 ( in )
L2 ( mm ) - ( in )	145,00 ( mm )	5,71 ( in )

