

## INCASSI\_BUILT-IN PARTS

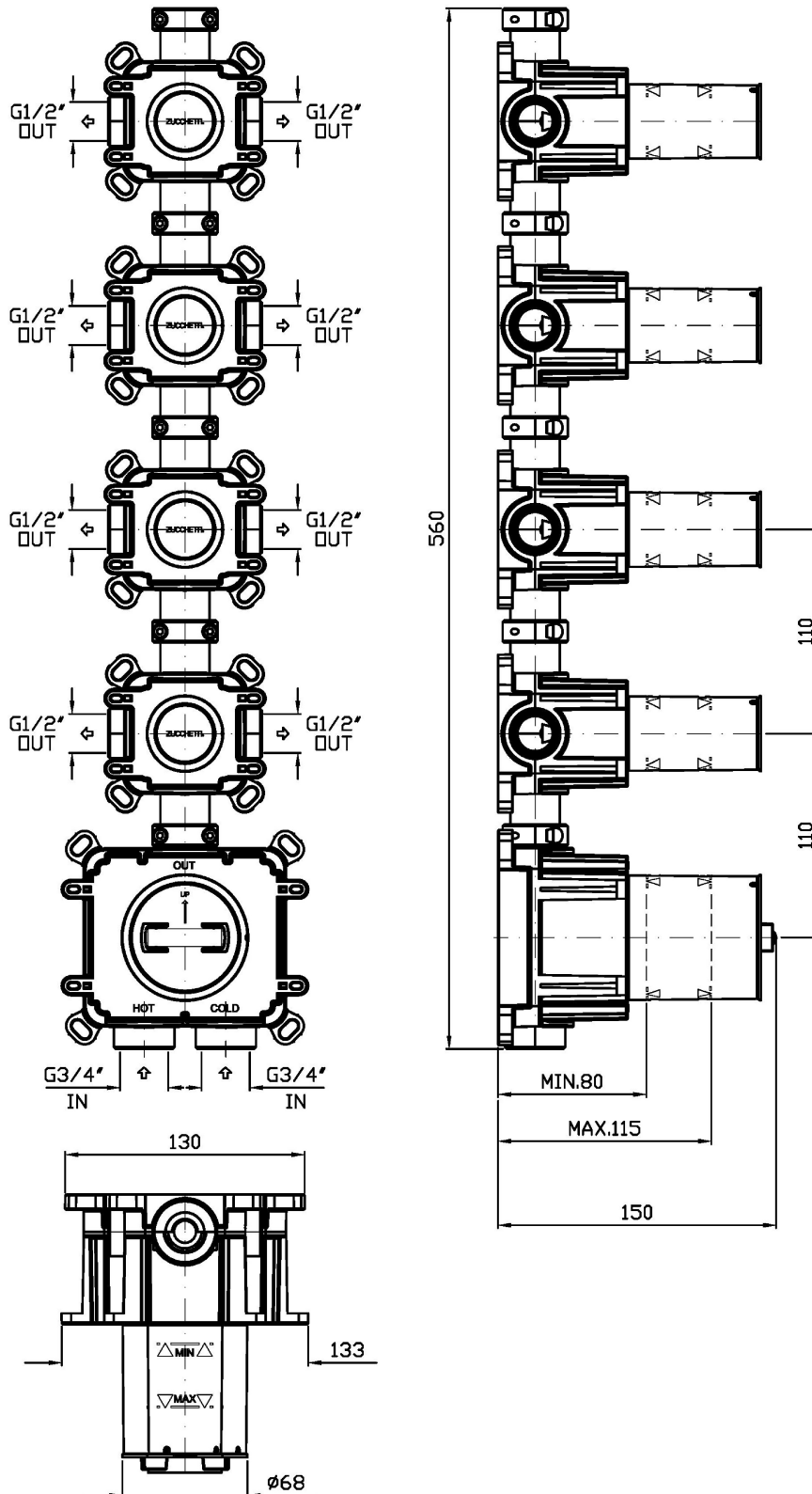
R96733.1900 Rough-in part.



Rough-in part, thermostatic shower mixer with 4 stop valves.  
3/4" inlets and 1/2" outlets.  
It can be installed both vertically or horizontally.

## INCASSI\_BUILT-IN PARTS

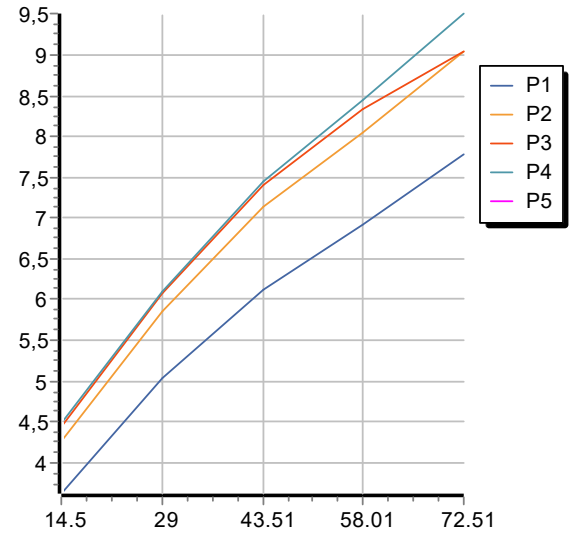
R96733.1900 Overall Drawing



## INCASSI\_BUILT-IN PARTS

R96733.1900 Flowrates (GPM)

PRESSURE	gal/min (14.5 PSI)	gal/min (29 PSI)	gal/min (43.51 PSI)	gal/min (58.01 PSI)	gal/min (72.51 PSI)
1 RUBINETTO APERTO <i>P1</i> 1 TAP OPENED	3,619	5,045	6,128	6,921	7,793
2 RUBINETTO APERTI <i>P2</i> 2 TAPS OPENED	4,253	5,864	7,132	8,057	9,034
3 RUBINETTO APERTI <i>P3</i> 3 TAPS OPENED	4,438	6,075	7,396	8,347	9,034
4 RUBINETTO APERTI <i>P4</i> 4 TAPS OPENED	4,49	6,102	7,449	8,453	9,51
<i>P5</i>					



## INCASSI\_BUILT-IN PARTS

R96733.1900 Weights and Sizes

Weight ( lb )	3,50 ( Kg )	7,72 ( lb )
Volume test ( dc3 ) - ( in3 )	13,32 ( dc3 )	812,84 ( in3 )
h ( mm ) - ( in )	160,00 ( mm )	6,30 ( in )
L1 ( mm ) - ( in )	140,00 ( mm )	5,51 ( in )
L2 ( mm ) - ( in )	595,00 ( mm )	23,43 ( in )

