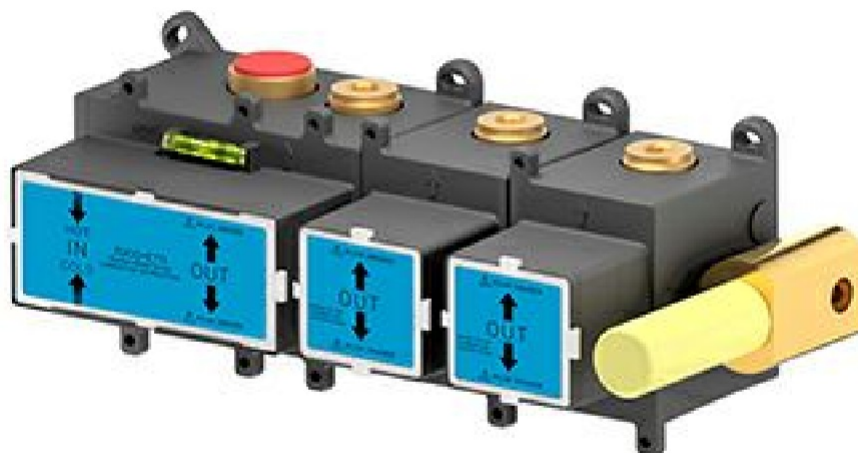


## INCASSI\_BUILT-IN PARTS

R96706

Parte incasso / Built-in part



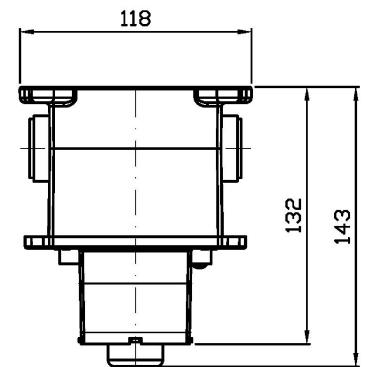
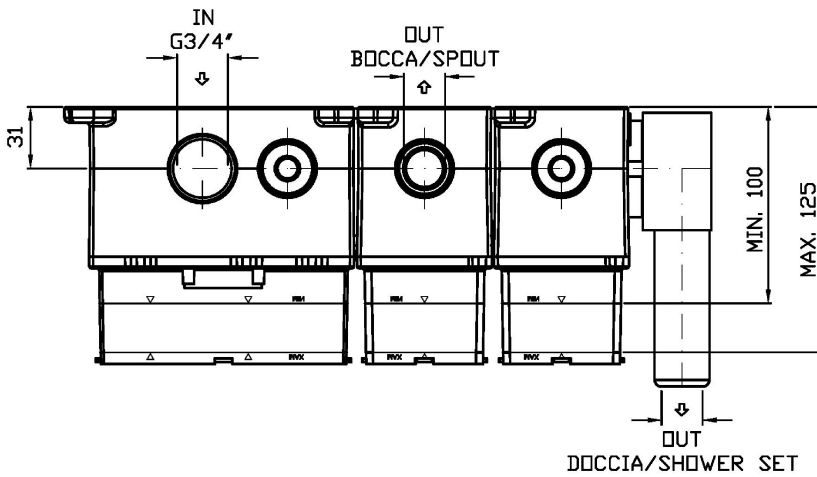
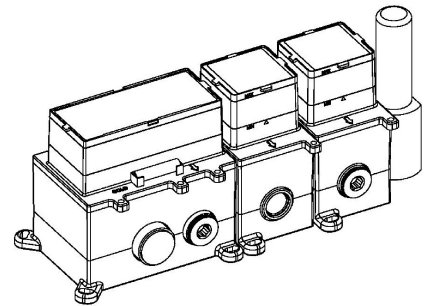
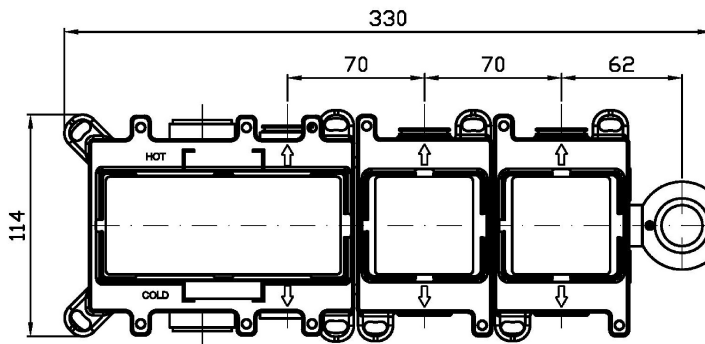
Parte incasso. Termostatico vasca-doccia con 2 pulsanti on-off.

Built-in part. Thermostatic bath-shower mixer with 2 on-off buttons.

## INCASSI\_BUILT-IN PARTS

R96706

Disegno Complessivo / Overall Drawing

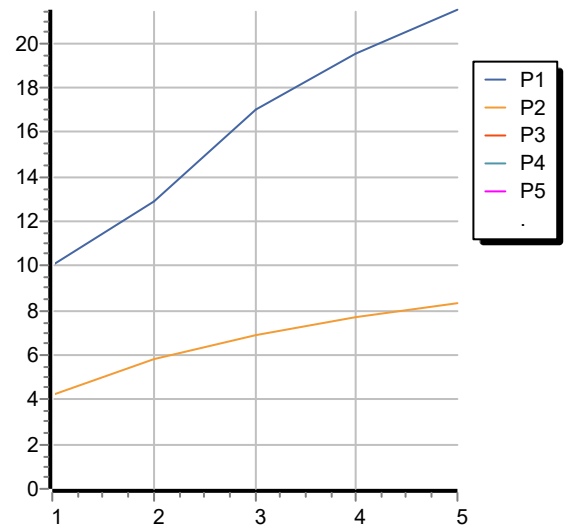


## INCASSI\_BUILT-IN PARTS

R96706

Portate / Flowrates (lt/min)

PRESSIONE PRESSURE	1 BAR	2 BAR	3 BAR	4 BAR	5 BAR
P1 DOCCETTA HANDSHOWER	4,2	5,8	6,9	7,7	8,3
P2 BOCCA VASCA WALL SPOUT	10	12,9	17	19,5	21,5
P3					
P4					
P5					



## INCASSI\_BUILT-IN PARTS

R96706

Pesi e Misure / Weights and Sizes

Peso ( Kg ) Weight ( lb )	5,90 ( Kg )	13,01 ( lb )
Volume test ( dc3 ) - ( in3 )	12,26 ( dc3 )	748,15 ( in3 )
h ( mm ) - ( in )	150,00 ( mm )	5,91 ( in )
L1 ( mm ) - ( in )	250,00 ( mm )	9,84 ( in )
L2 ( mm ) - ( in )	327,00 ( mm )	12,87 ( in )

